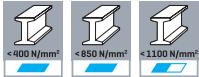


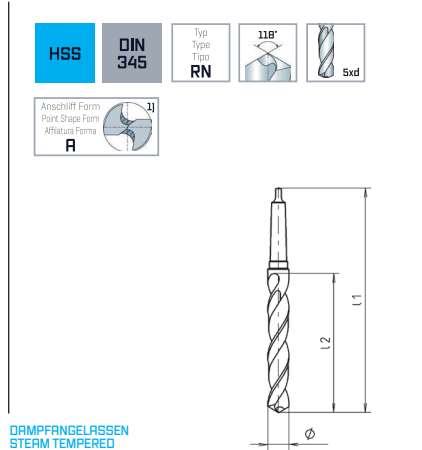
**D** Spiralbohrer mit Morsekegel, kurz, DIN 345 RN

**Einsatzbereich:**  
Hochleistungsbohrer zum Bohren von legierten und unlegierten Stählen und Stahlguss, Grauguss, Temperguss, Kupferlegierungen, Neusilber, Graphit, Sinterisenen.



**E** Morse taper shank drills, short series, DIN 345 RN

**Range of application:**  
Premium quality twist drills for drilling steel and steel castings, alloy and plain carbon, grey iron castings, copper-alloys, nickel-silver, graphite and similar materials.



DAMPFANGELASSEN  
STEAM TEMPERED  
VAPORIZZATA

**I** Punta elicoidali serie corta, cono morse, DIN 345 RN

**Impiego:**  
Foratura di acciai legati, non legati, ghisa, ghisa grigia, ghisa malleabile, leghe rame, alpaca, grafite, acciai sinterizzati.



DAMPFANGELASSEN  
STEAM TEMPERED  
VAPORIZZATA

$\emptyset$ h8 mm	l1 mm	l2 mm		Code 202 Art.-Nr.	
5,00	133	52	1	00 202005001 00	1
5,50	138	57	1	00 202005501 00	1
6,00	138	57	1	00 202006001 00	1
6,50	144	63	1	00 202006501 00	1
7,00	150	69	1	00 202007001 00	1
7,50	150	69	1	00 202007501 00	1
8,00	156	75	1	00 202008001 00	1
8,50	156	75	1	00 202008501 00	1
9,00	162	81	1	00 202009001 00	1
9,50	162	81	1	00 202009501 00	1
9,80	168	87	1	00 202009801 00	1
10,00	168	87	1	00 202010001 00	1
10,20	168	87	1	00 202010201 00	1
10,25	168	87	1	00 202010251 00	1
10,50	168	87	1	00 202010501 00	1
10,75	175	94	1	00 202010751 00	1
11,00	175	94	1	00 202011001 00	1
11,25	175	94	1	00 202011251 00	1
11,50	175	94	1	00 202011501 00	1
11,75	175	94	1	00 202011751 00	1
12,00	182	101	1	00 202012001 00	1
12,25	182	101	1	00 202012251 00	1
12,50	182	101	1	00 202012501 00	1
12,75	182	101	1	00 202012751 00	1
13,00	182	101	1	00 202013001 00	1
13,25	189	108	1	00 202013251 00	1
13,50	189	108	1	00 202013501 00	1
13,75	189	108	1	00 202013751 00	1
14,00	189	108	1	00 202014001 00	1
14,25	212	114	2	00 202014251 00	1
14,50	212	114	2	00 202014501 00	1
14,75	212	114	2	00 202014751 00	1
15,00	212	114	2	00 202015001 00	1
15,25	218	120	2	00 202015251 00	1
15,50	218	120	2	00 202015501 00	1
15,75	218	120	2	00 202015751 00	1
16,00	218	120	2	00 202016001 00	1
16,25	223	125	2	00 202016251 00	1



$\emptyset$ h8 mm	l1 mm	l2 mm		Code 202 Art.-Nr.	
16,50	223	125	2	00 202016501 00	1
16,75	223	125	2	00 202016751 00	1
17,00	223	125	2	00 202017001 00	1
17,25	228	130	2	00 202017251 00	1
17,50	228	130	2	00 202017501 00	1
17,75	228	130	2	00 202017751 00	1
18,00	228	130	2	00 202018001 00	1
18,25	233	135	2	00 202018251 00	1
18,50	233	135	2	00 202018501 00	1
18,75	233	135	2	00 202018751 00	1
19,00	233	135	2	00 202019001 00	1
19,25	238	140	2	00 202019251 00	1
19,50	238	140	2	00 202019501 00	1
19,75	238	140	2	00 202019751 00	1
20,00	238	140	2	00 202020001 00	1
20,25	243	145	2	00 202020251 00	1
20,50	243	145	2	00 202020501 00	1
20,75	243	145	2	00 202020751 00	1
21,00	243	145	2	00 202021001 00	1
21,25	248	150	2	00 202021251 00	1
21,50	248	150	2	00 202021501 00	1
21,75	248	150	2	00 202021751 00	1
22,00	248	150	2	00 202022001 00	1
22,25	248	150	2	00 202022251 00	1
22,50	253	155	2	00 202022501 00	1
22,75	253	155	2	00 202022751 00	1
23,00	253	155	2	00 202023001 00	1
23,50	276	155	3	00 202023501 00	1
23,75	281	160	3	00 202023751 00	1
24,00	281	160	3	00 202024001 00	1
24,50	281	160	3	00 202024501 00	1
24,75	281	160	3	00 202024751 00	1
25,00	281	160	3	00 202025001 00	1
25,25	286	165	3	00 202025251 00	1
25,50	286	165	3	00 202025501 00	1
25,75	286	165	3	00 202025751 00	1
26,00	286	165	3	00 202026001 00	1
26,50	286	165	3	00 202026501 00	1

(1) Anschliff Form A / Point shape form A / Affilatura forma A >  $\emptyset$  16,0 mm -  $\emptyset$  40,0 mm  
Anschliff Form AC / Point shape form AC / Affilatura forma AC  $\leq$   $\emptyset$  16,0 mm





HSS-Bohrer  
HSS drills  
HSS punte elicoidali

DAMPFANGELASSEN  
STEAM TEMPERED  
VAPORIZZATA

Ø <sub>h8</sub> mm	l1 mm	l2 mm		Code 202 Art.-Nr.	
27,00	291	170	3	00 202027001 00	1
27,50	291	170	3	00 202027501 00	1
27,75	291	170	3	00 202027751 00	1
28,00	291	170	3	00 202028001 00	1
28,25	296	175	3	00 202028251 00	1
28,50	296	175	3	00 202028501 00	1
28,75	296	175	3	00 202028751 00	1
29,00	296	175	3	00 202029001 00	1
29,50	296	175	3	00 202029501 00	1
29,75	296	175	3	00 202029751 00	1
30,00	296	175	3	00 202030001 00	1
30,25	301	180	3	00 202030251 00	1
30,50	301	180	3	00 202030501 00	1
31,00	301	180	3	00 202031001 00	1
31,50	301	180	3	00 202031501 00	1
31,75	301	180	3	00 202031751 00	1
32,00	334	185	4	00 202032001 00	1
32,50	334	185	4	00 202032501 00	1
33,00	334	185	4	00 202033001 00	1
33,50	334	185	4	00 202033501 00	1
34,00	339	190	4	00 202034001 00	1
34,50	339	190	4	00 202034501 00	1
35,00	339	190	4	00 202035001 00	1
35,50	339	190	4	00 202035501 00	1
36,00	344	195	4	00 202036001 00	1
36,50	344	195	4	00 202036501 00	1
37,00	344	195	4	00 202037001 00	1
37,50	344	195	4	00 202037501 00	1
38,00	349	200	4	00 202038001 00	1

DAMPFANGELASSEN  
STEAM TEMPERED  
VAPORIZZATA

Ø <sub>h8</sub> mm	l1 mm	l2 mm		Code 202 Art.-Nr.	
38,50	349	200	4	00 202038501 00	1
39,00	349	200	4	00 202039001 00	1
39,50	349	200	4	00 202039501 00	1
40,00	349	200	4	00 202040001 00	1
40,50	354	205	4	00 202040501 00	1
41,00	354	205	4	00 202041001 00	1
41,50	354	205	4	00 202041501 00	1
42,00	354	205	4	00 202042001 00	1
42,50	354	205	4	00 202042501 00	1
43,00	359	210	4	00 202043001 00	1
44,00	359	210	4	00 202044001 00	1
45,00	359	210	4	00 202045001 00	1
46,00	364	215	4	00 202046001 00	1
47,00	364	215	4	00 202047001 00	1
48,00	369	220	4	00 202048001 00	1
49,00	369	220	4	00 202049001 00	1
50,00	369	220	4	00 202050001 00	1
51,00	412	225	5	00 202051001 00	1
52,00	412	225	5	00 202052001 00	1
53,00	412	225	5	00 202053001 00	1
54,00	417	230	5	00 202054001 00	1
55,00	417	230	5	00 202055001 00	1
56,00	417	230	5	00 202056001 00	1
57,00	422	235	5	00 202057001 00	1
58,00	422	235	5	00 202058001 00	1
59,00	422	235	5	00 202059001 00	1
60,00	422	235	5	00 202060001 00	1
65,00	432	245	5	00 202065001 00	1
70,00	437	250	5	00 202070001 00	1